

**BUS SYSTEM**

**ESANET - MANAGEMENT SOFTWARE TO PC**



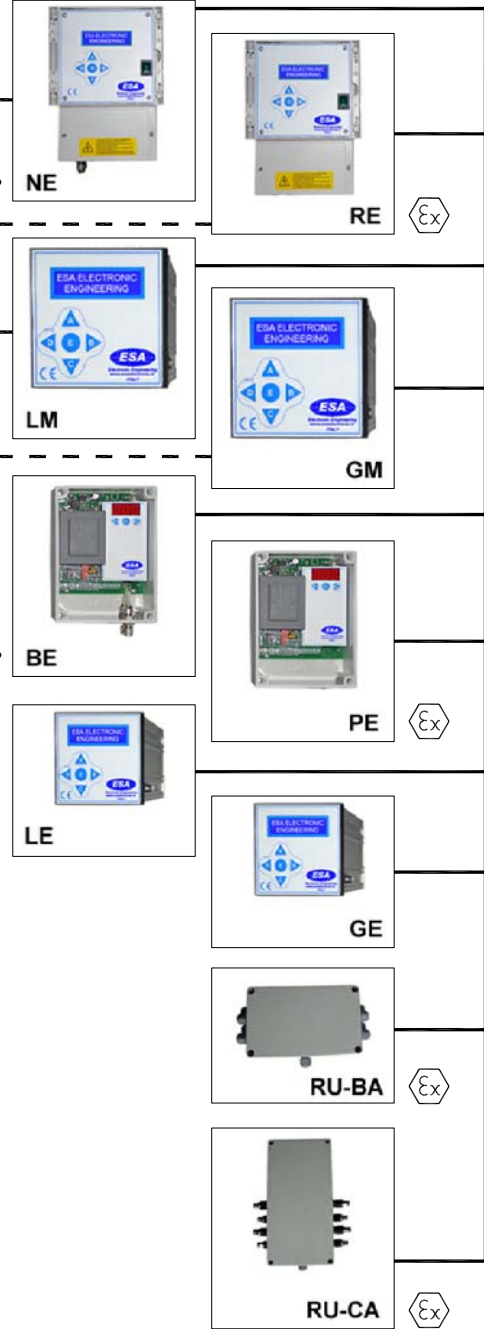
- Up to 30 devices connectable also different models
- Data transmission in RS485
- screen display in real time of each device
- Setting setup parameters of each device directly from PC
- Data storage directly on the hard disk of the PC
- Analysis and visualization of data stored with the graph of the variation of dP and TC probe
- Real time analysis of the quantity of dust detected by the TC probe for each solenoid valve to determine the status of the sleeve
- Software adjustable in 5 languages (Italian, English, French, German, Spanish)



Dust control TC  
(Option on request)  
Link to models

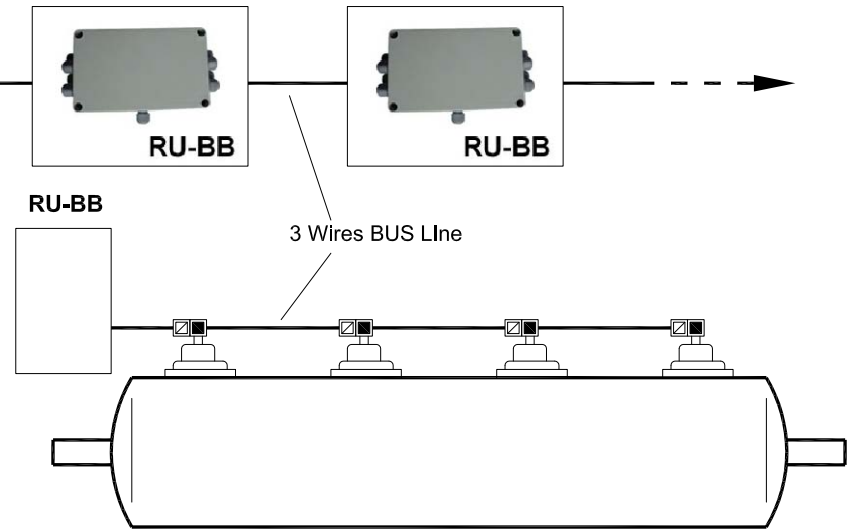


**MASTER UNIT**  
With dP control    Without dP control

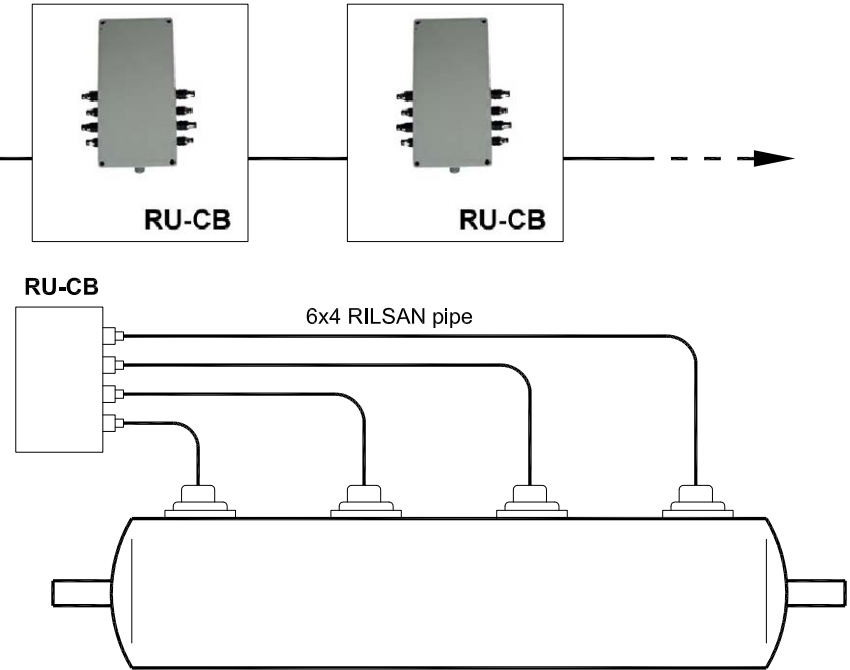


**REMOTE UNIT**

**REMOTE UNIT TO CONTROL ELECTROVALVES**



**REMOTE UNIT TO CONTROL WITH PILOT VALVES**



RS485

3 Wires BUS Line

3 Wires BUS Line

3 Wires BUS Line

6x4 RILSAN pipe