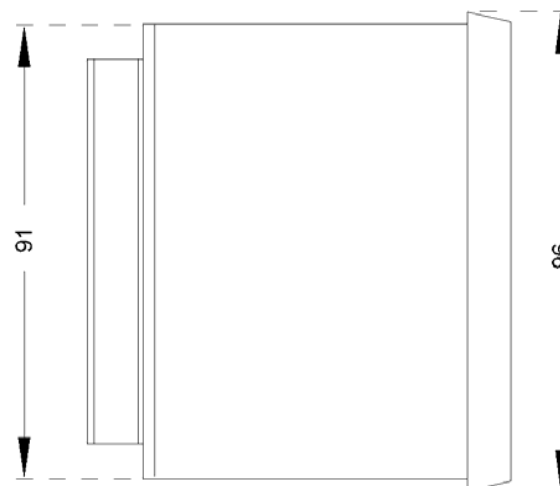
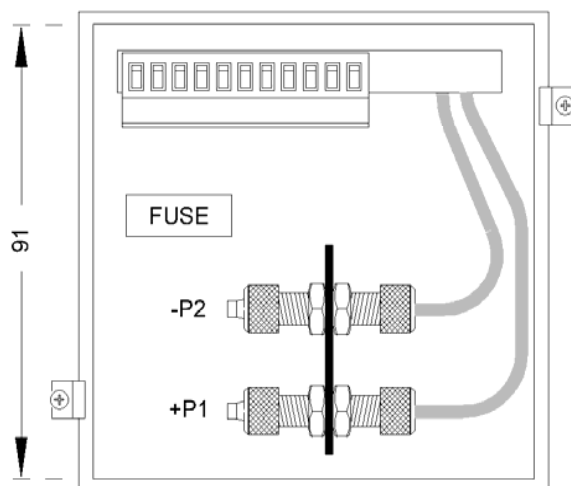


Transparent IP65
membrane for keypad
Option on request
Code: LC2



TECHNICAL FEATURES

Code	3.2	Temperature	- 10 °C +70 °C
Protection degree	IP20		
Material	Aluminium	Dimensions	mm

+P1	dP input side dirty
-P2	dP input side clean