

SEQUENCERS WITH DIFFERENTIAL PRESSURE CONTROL



- Up to 120 outputs for solenoid valve connection
- Power supply voltage: 115 VAC ÷ 230 VAC / 50 ÷ 60 Hz (Standard)
- Power supply voltage(On request): 24 VAC / 50 ÷ 60 Hz - 24 VDC
- Manuals available in Italian, English, French, German, Spanish
- Display display: (depending on the model chosen)
 1. Display display: (depending on the model chosen)
 2. Display LED 3 digit
 3. Display LED 5 digit (For low temperatures)
- Operating temperature: - 10 ÷ + 50 °C (Standard)
- Maximum dP alarm
- Relay presence voltage
- Selection of number of outputs
- Full-scale 10 kPa (On request for other units of measure)
- Air connections for tube RILSAN 6x4

- On request in classified area:
 - ATEX ZONE 22
 - ATEX ZONE 1,21
- Housing explosion proof



SEQUENCER WITH GSM OPTION

- Sending data via network via GSM
- Requires softwareESAWEB

SEQUENCER WITH RS485 OPTION

- Sending data via RS485
- Requires softwareESANET

SEQUENCERS WITHOUT DIFFERENTIAL PRESSURE CONTROL



- Up to 120 outputs for solenoid valve connection
- Power supply voltage: 115 VAC ÷ 230 VAC / 50 ÷ 60 Hz (Standard)
- Power supply voltage(On request): 24 VAC / 50 ÷ 60 Hz - 24 VDC
- Manuals available in Italian, English, French, German, Spanish
- Display display: (depending on the model chosen)
 1. Display display: (depending on the model chosen)
 2. Display LED 3 digit
 3. Display LED 5 digit (For low temperatures)
- Operating temperature: - 10 ÷ + 50 °C (Standard)
- Relay presence voltage
- Selection of number of outputs

- On request in classified area:
 - ATEX ZONE 22
 - ATEX ZONE 1,21
- Housing explosion proof



COMPLETE SEQUENCERS WITH ELECTROPILOTS



- With and without dP control
- Up to 16 pilot
- Power supply: 115 VAC ÷ 230 VAC / 50 ÷ 60 Hz (Standard)
- Manuals available in Italian, English, French, German, Spanish
- Display display with 3-digit LED display
- Operating temperature: - 10 ÷ + 50 °C (Standard)
- Maximum alarm dP (only with control dP)
- Full scale 10 kPa (On request for other unit of measurement)
- Air connections for tube RILSAN 6x4
- Relay presence voltage



- On request in the area classified as ATEX ZONE 22

BUS-SYSTEM

SEQUENCER WITH AND WITHOUT dP CONTROL

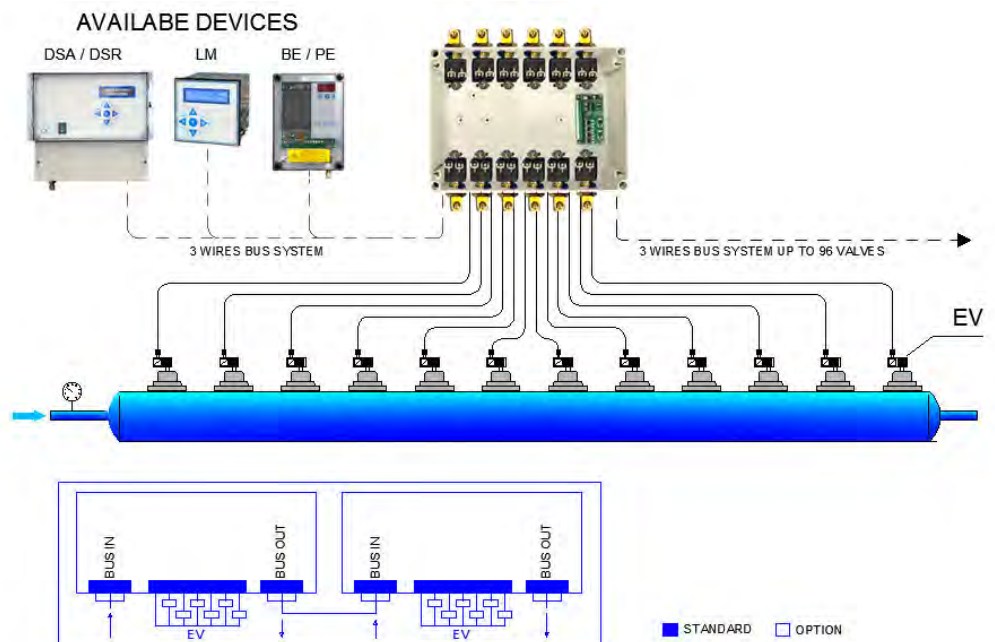


- 1 BUS Line (12 Remote unit)
- Power supply: 115 VAC ÷ 230 VAC / 50 ÷ 60 Hz (Standard)
- Power supply (On request): 24 VAC / 50 ÷ 60 Hz - 24 VDC
- Manuals available in Italian, English, French, German, Spanish
- Display display: (depending on the model chosen)
 1. Display alphanumeric LCD 32 caratteri multilingua
 2. Display LED 3 digit
 3. Display LED 5 digit (Low temperature)
- Operating temperature: - 10 ÷ + 50 °C (Standard)
- Relay presence voltage
- Selection of number of outputs

- On Request ATEX ZONE 22
- On Request GSM / RS485

REMOTE UNIT

- Selection of number of outputs with Dip-Switch



CONTROL OF PRESSURE, EMISSIONS, TEMPERATURE



- Power supply: 115 VAC ÷ 230 VAC / 50 ÷ 60 Hz (Standard)
- Power supply (On request): 24 VAC / 50 ÷ 60 Hz - 24 VDC
- Manuals available in Italian, English, French, German, Spanish
- Display display: (depending on the model chosen)
 1. Display alphanumeric LCD 32 caratteri multi language
 2. Display graphic 160 x 120 px
- Operating temperature: - 10 ÷ + 50 °C (Standard)
- Maximum emission pre-alarm
- Maximum emission alarm
- Relay presence voltage

- On request in the area classified :



- ATEX ZONE 22

SEQUENCER WITH GSM OPTION

- Sending data to the network via GSM
- Requires software ESAWEB

SEQUENCER WITH RS485 OPTION

- Invio dati via RS485
- Requires software ESANET

DUST EMISSION



- Steel rod inox AISI 316L
- Power supply: 18 ÷ 26 VDC - 70 mA
- Output 4 ÷ 20 mA (Model: TC50, TC50F)
- Contact output SPDT (Model: TC50R)
- Steel rope kit for chimney diameters up to 20 meters (Model TC50F)
- Manuals available in Italian, English, French, German, Spanish



- On request in area classified :
- ATEX ZONE 22

